



MS-18 Stick pack

MS-18 Stick pack

We "Stick" to the trend

Upon request of our customers and following the latest market-trend Mespack has developed a new model to produce stick packs.

The range varies from 4 to 10 lanes depending on the width of the Stickpack and is available with different type of fillers to fill liquids, granules and powders.

Mespack incorporates of course all its experience in the form fill and seal sector into this model using the latest available technologies.

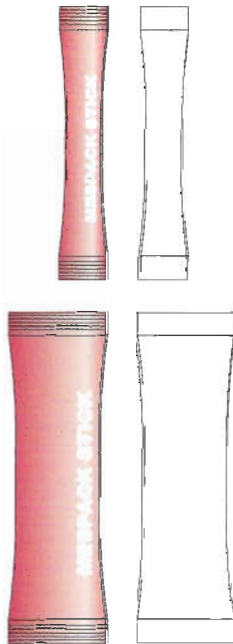
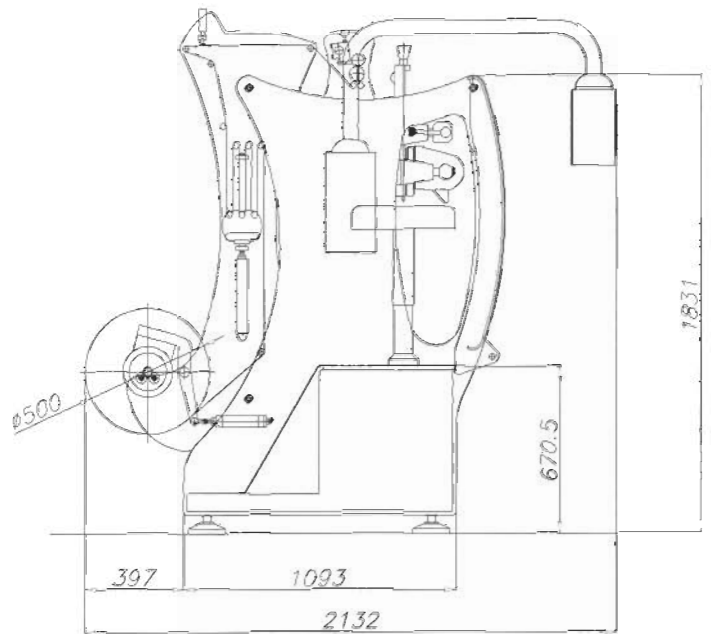
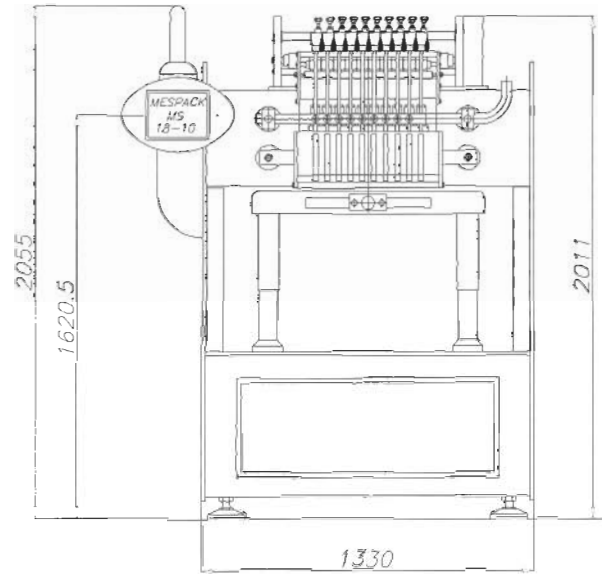
Main features

- High performance
- Servo driven film index
- Adjustable film tension pneumatically controlled
- Independent seal jaws
- Easy clean seal jaws (turnable 180°)
- Human Machine Interface (HMI) is able through a 10" colour touch screen.

This allows to control all functions of the machine:

- Fill dose
- Modify the temperature of the respective seal bars
- Increase or decrease the speed of the machine
- Stick length adjustment
- Production data
- Counter of sticks produced
- Counter of rejected sticks
- Normal stop time counter
- Alarm time counter
- Machine efficiency, etc...

This machine is supplied with an independent electrical cabinet.



MS-18 Technical specifications

	4 lanes	6 lanes	8 lanes	10 lanes
Maximum stick width	55 mm	40 mm	28 mm	22 mm
Minimum stick width	15 mm	15 mm	15 mm	15 mm
Maximum stick length	180 mm	180 mm	180 mm	180 mm
Minimum stick length	20 mm	20 mm	20 mm	20 mm
Maximum reel dimensions	500 mm	500 mm	500 mm	500 mm
Maximum reel width	700 mm	700 mm	700 mm	700 mm
Reel shaft	70-75 mm	70-75 mm	70-75 mm	70-75 mm
Machine dimensions	(L x W x H) 2130 x 1330 x 2055 mm			
Electrical consumption	6 Kw	7 Kw	8.5 Kw	9 Kw
Air consumption	200 L/min	200 L/min	200 L/min	200 L/min
Capacity - Sticks / minute	240	360	480	600

We reserve the right to make any technical changes without prior notice. Final output to be confirmed depending on product & pouch format.

